

# TZW526 SERIES HYSTERESIS SYNCHRONOUS MOTOR

## APPLICATION

- Motorized valves of central air-conditioning system
- Damper actuators
- Driving actuators



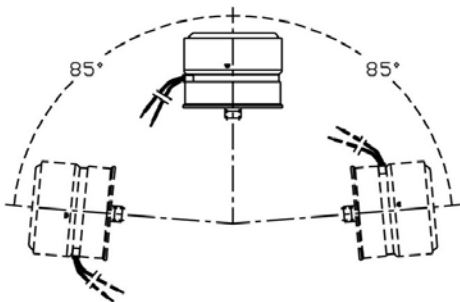
## CHARACTERISTICS

- Fully sealed water-proof design
- Built-in reducer, large torque output
- High temperature durability (Class B)
- Reliable and long life

## TECHNICAL SPECIFICATIONS

Model	TZW526-24V	TZW526-110V	TZW526-220V	TZW526-230V
Rated voltage	24 Vac	110 Vac	220 Vac	230 Vac
Rated Frequency	50/60Hz			
Rated power	6.5W			
Rotation speed	5RPM 50Hz / 6RPM 60Hz			
Insulation class	Class B (130°C)			
Environmental Temperature	-25°C~+40°C			

## INSTALLATION



## DIMENSIONS (mm)

